



## Grade 1B

### School-without-Walls Package 5 (19 April to 23 April 2021)

#### Homework\_Day 1 (19 April 2021)

Subject	Click on the Youtube Links	Things to Note
English	<p>Seeing Double</p> <p>Students to</p> <ul style="list-style-type: none"><li>- recognize that sentences always begin with a capital ( uppercase / capitalization ) letter.</li><li>- Read a word families ( association with letter U).</li><li>- Compose sentences.</li></ul> <p><a href="https://youtu.be/fxFGB5vErww">https://youtu.be/fxFGB5vErww</a></p> <p><a href="https://youtu.be/bfnMdeKJThM">https://youtu.be/bfnMdeKJThM</a></p> <p>-</p>	<ul style="list-style-type: none"><li>- Write down 5 sentences begin with capital letter.</li><li>- List down 5 words that you learn from the video in your note book.</li></ul>
Mathematics	<p>Introduction Number Bonds</p> <p><a href="https://www.youtube.com/watch?v=LFki4BENvcw">https://www.youtube.com/watch?v=LFki4BENvcw</a></p> <p><a href="https://www.youtube.com/watch?v=uWjFOu5HJ5s">https://www.youtube.com/watch?v=uWjFOu5HJ5s</a></p>	<p>Following the videos, use concrete objects to form different number bond.</p>
Portuguese	<p><b>Alfabeto Português (letra A, B)</b></p> <p>Os alunos vão:</p> <ul style="list-style-type: none"><li>- Conhecer as letra A , B de alfabeto Português.</li></ul> <p><a href="https://www.youtube.com/watch?v=Ako5IpvstK4">https://www.youtube.com/watch?v=Ako5IpvstK4</a></p> <ul style="list-style-type: none"><li>- Identifica as palavras com letra A e B</li></ul> <p><a href="https://www.youtube.com/watch?v=baJ6rOdI9N4">https://www.youtube.com/watch?v=baJ6rOdI9N4</a></p>	<ol style="list-style-type: none"><li>1. Escreva 5 novas palavras que você aprendi com cada video no seu livro de exercícios português.</li><li>2. Escreva cada palavra 5 vezes.</li></ol>
PE	<p>Get Active #1</p> <p><a href="https://www.youtube.com/watch?v=T8jI4RnHHf0">https://www.youtube.com/watch?v=T8jI4RnHHf0</a></p>	<p>Follow the video and do the exercise as a family.</p>

## Homework\_Day 2 (20 April 2021)

Subject	Click on the Youtube Links	Things to Note
<b>English</b>	Watercolor <ul style="list-style-type: none"> <li>- Demonstrate the effect of heat on the movement of water (watercolor).</li> <li>- Distinguish sounds in familiar words.</li> <li>- Read color words.</li> <li>- Pronounce the letter sound (p)</li> </ul> <a href="https://youtu.be/T3qcCoJ70XY">https://youtu.be/T3qcCoJ70XY</a>  <a href="https://youtu.be/oD-5l221bUw">https://youtu.be/oD-5l221bUw</a>  <a href="https://youtu.be/-v1fg2Hp63s">https://youtu.be/-v1fg2Hp63s</a>	<ul style="list-style-type: none"> <li>- List down 5 color words and 5 words begin with letter (P) from the video.</li> </ul>
<b>Mathematics</b>	Number bond to 3 and 4  Number bond to 5  <a href="https://www.youtube.com/watch?v=7O7Dna16rWc">https://www.youtube.com/watch?v=7O7Dna16rWc</a>  <a href="https://www.youtube.com/watch?v=VzeEw8GPKPs">https://www.youtube.com/watch?v=VzeEw8GPKPs</a>	Make different number bond for number up to 5 with different objects and colours
<b>PE</b>	Baby Shark Workout <a href="https://www.youtube.com/watch?v=eNuZN3GSm8U">https://www.youtube.com/watch?v=eNuZN3GSm8U</a>	Do the baby shark workout and stay active.

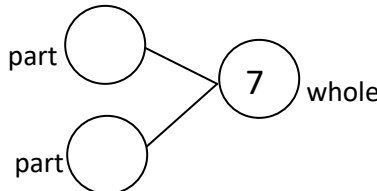
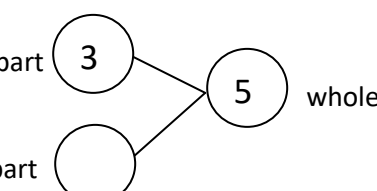
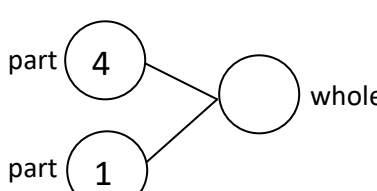
# Homework\_Day 3 (21 April 2021)

Subject	Click on the Youtube Links	Things to Note
<b>English</b>	Caterpillars <ul style="list-style-type: none"> <li>- Learn facts about a caterpillar.</li> <li>- Read the letter sound association C,K, Ck /K/.</li> <li>- Learn to use s in possessive words and punctuation.</li> </ul> <a href="https://youtu.be/t7qwwrppJIM">https://youtu.be/t7qwwrppJIM</a>  <a href="https://youtu.be/kUFA3tywNJ4">https://youtu.be/kUFA3tywNJ4</a>  <a href="https://youtu.be/NrrG0aZLgZM">https://youtu.be/NrrG0aZLgZM</a>	Write down 5 possessive words.
<b>Mathematics</b>	How to master the number bond  <a href="https://www.youtube.com/watch?v=2oKG0sCTzCY">https://www.youtube.com/watch?v=2oKG0sCTzCY</a>  <a href="https://www.youtube.com/watch?v=PAV-gwoLTIs">https://www.youtube.com/watch?v=PAV-gwoLTIs</a>	Use the different colour of object to form different number bond.  -
<b>Portuguese</b>	<b>Alfabeto Português (letra C, D)</b>  Os alunos vão: - Conhecer as letra C , D de alfabeto Português. <a href="https://www.youtube.com/watch?v=eBD5xrsT7CM">https://www.youtube.com/watch?v=eBD5xrsT7CM</a>  - Identifica as palavras com letra C e D <a href="https://www.youtube.com/watch?v=eBD5xrsT7CM">https://www.youtube.com/watch?v=eBD5xrsT7CM</a>	<ol style="list-style-type: none"> <li>1. Escreva 5 novas palavras que você aprendi com cada video no seu livro de exercícos português.</li> <li>2. Escreva cada palavra 5 vezes.</li> </ol>
<b>PE</b>	Get Active #2 <a href="https://www.youtube.com/watch?v=h3Xrtm0IVnY">https://www.youtube.com/watch?v=h3Xrtm0IVnY</a>	Follow the video and do the exercise together with your family.

## Homework\_Day 4 (22 April 2021)

Subject	Click on the Youtube Links	Things to Note
<b>English</b>	Red, White and Blue <ul style="list-style-type: none"><li>- Pronounce the letter sound a /a/,s /z/.</li><li>- Read the words families .an ,ap, ad at, as, ack.</li></ul> <p><a href="https://youtu.be/5hV_s6B9EFM">https://youtu.be/5hV_s6B9EFM</a></p> <p><a href="https://youtu.be/RjsUkxHQhzQ">https://youtu.be/RjsUkxHQhzQ</a></p>	List down 5 families words from the video.
<b>Mathematics</b>	Word problems with number bonds <p><a href="https://www.youtube.com/watch?v=oqc3qmHJxpE">https://www.youtube.com/watch?v=oqc3qmHJxpE</a></p> <p><a href="https://www.youtube.com/watch?v=PvreptTQE3o">https://www.youtube.com/watch?v=PvreptTQE3o</a></p>	Read the word problems in the video and write down the number sentence and number bond.
<b>PE</b>	ABC Home workout <p><a href="https://www.youtube.com/watch?v=pPceYnr4mcE">https://www.youtube.com/watch?v=pPceYnr4mcE</a></p>	DO the workout together with the video. Learn your ABC as well.

# Homework\_Day 5 (23 April 2021)

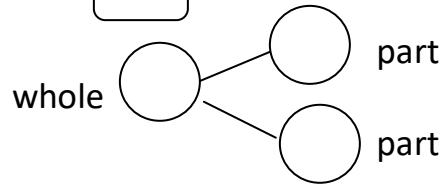
Subject	Click on the Youtube Links	Things to Note
<b>English</b>	Colorful marching <ul style="list-style-type: none"> <li>- Identify and use the question mark.</li> <li>- Read the service words.</li> <li>- Letter sound ( Nd ).</li> </ul> <a href="https://youtu.be/InAy8VUfA8g">https://youtu.be/InAy8VUfA8g</a>  <a href="https://youtu.be/QWcFwTwYWE4">https://youtu.be/QWcFwTwYWE4</a>	-Write down 5 questions use question mark. List down 10 words ending by (ND) from the video.
<b>Mathematics</b>	Review  <a href="https://www.youtube.com/watch?v=WAR-Ub9tPvo">https://www.youtube.com/watch?v=WAR-Ub9tPvo</a>  <a href="https://www.youtube.com/watch?v=TrhDYWNZE2k">https://www.youtube.com/watch?v=TrhDYWNZE2k</a>	Learn to sing the number bonds song  Copy and complete the number bonds below in your exercise: <ol style="list-style-type: none"> <li>1. <input type="text"/> and <input type="text"/> make 7   </li> <li>2. <input type="text" value="3"/> and <input type="text"/> make 5   </li> <li>3. <input type="text"/> and <input type="text" value="1"/> make <input type="text"/>   </li> </ol>

Number stories:

4. Raju has 3 toys

Toy cars

Toy robot



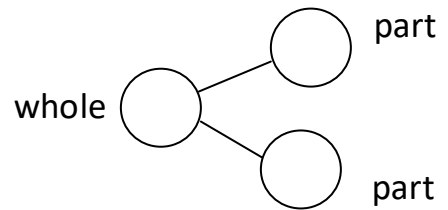
5.



There are  fruits

There are  pears

There are  apples.



<p><b>Portuguese</b></p>	<p><b>Alfabeto Português (letra E até H)</b>  Os alunos vão:  - Conhecer as letra <b>E até H</b> de alfabeto Português.  <a href="https://www.youtube.com/watch?v=vJddWYWSdVo">https://www.youtube.com/watch?v=vJddWYWSdVo</a></p> <p>- Identifica as palavras com letra <b>E até H)</b>  <a href="https://www.youtube.com/watch?v=vJddWYWSdVo">https://www.youtube.com/watch?v=vJddWYWSdVo</a></p>	<p>Escreva 5 novas palavras que você aprendi com cada video no seu livro de exercícios português.</p>
<p><b>PE</b></p>	<p>Kids' Workout (Beginners)  <a href="https://www.youtube.com/watch?v=L_A_HjHZxfI">https://www.youtube.com/watch?v=L_A_HjHZxfI</a></p>	<p>Get active!! Follow the exercises in the video.</p>